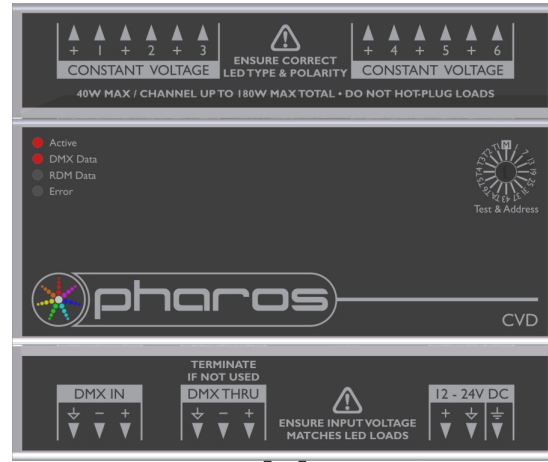


### Overview

The Pharos CCD (Constant Current Driver) and the Pharos CVD (Constant Voltage Drivers) are both DMX LED drivers with manual/RDM addressing and test modes for luminaires and other devices.



### Features



#### Extend

Constant Current fixtures are supported by the Pharos CCD, which is available in three current levels. The Pharos CCD is a 6 channel DMX controlled LED driver and multiple LEDs may be connected in series to each channel. The power supply power rating must be sufficient for the total power of the connected LEDs. For maximum efficiency, the total LED forward voltage per channel should be approximately equal to the power supply voltage.



#### Constant Voltage

Constant Voltage fixtures are supported by the Pharos CVD. The Pharos CVD is a 6 channel DMX controlled LED driver and multiple LEDs may be connected in parallel to each channel. The power supply voltage must match the voltage rating of the LEDs and the power supply power rating must be sufficient for the total power of the connected LEDs.



#### Test Modes

Controlled by the hex wheel, test modes are available that will turn on each individual channel at 25% or all channels at 25%. DMX control data is ignored while in a test mode.

#### Reliable

Hardware and firmware are self-sufficient, so no PC needs to be left on site. Rugged, compact unit designed for 24/7 operation and reliability.

#### Installer Friendly

Made for permanent installation, with installer-friendly connectors and easy DIN rail mounting.

#### 5 Year Warranty

Designed and manufactured in the UK, with quality and reliability our top priority.

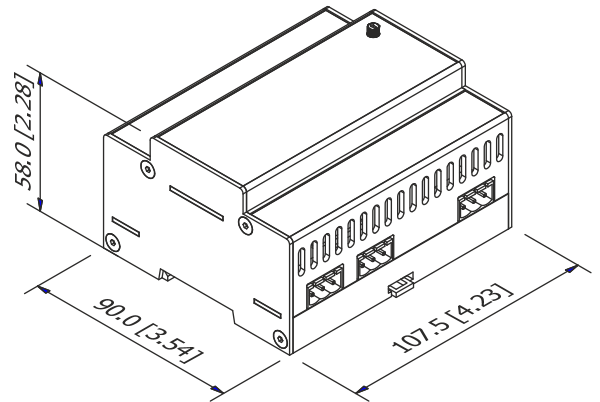
#### Certifications

CE compliant, ETL/cETL listed, and California Title 20/24 compliant.



## Specifications

|                       |   |
|-----------------------|---|
| <b>Certifications</b> | CE compliant, ETL/cETL listed   |
| <b>Power</b>          | 15V to 48V DC * (CCD), 12V to 24V DC * (CVD), power consumption dependant on load, 180W maximum |
| <b>Addressing</b>     | By rotary selector switch   |
| <b>Temperature</b>    | 0°C to 50°C (32°F to 122°F)   |
| <b>Humidity</b>       | 10-50% relative, non-condensing   |
| <b>Ingress</b>        | IP40  |
| <b>Physical</b>       | 6 unit wide DIN rail mounting enclosure (DIN43880 / EN60715 (35/7.5 rail))<br>0.5 kg (1.1 lbs)  |
| <b>Shipping</b>       | 20 x 15 x 12 cm (8" x 6" x 5")<br>0.7 kg (1.6 lbs)  |
| <b>Warranty</b>       | 5 years<br>* Install-friendly 0.200" (5.08mm) plug in rising clamp connectors (included)        |



## Order Code & Variants

|                |  |
|----------------|--|
| <b>CCD 350</b> | 350mA Constant Current LED Driver (6 channels, DMX/RDM controlled) |
| <b>CCD 500</b> | 500mA Constant Current LED Driver (6 channels, DMX/RDM controlled) |
| <b>CCD 700</b> | 700mA Constant Current LED Driver (6 channels, DMX/RDM controlled) |
| <b>CVD</b>     | Constant Voltage LED Driver (6 channels, DMX/RDM controlled)       |

