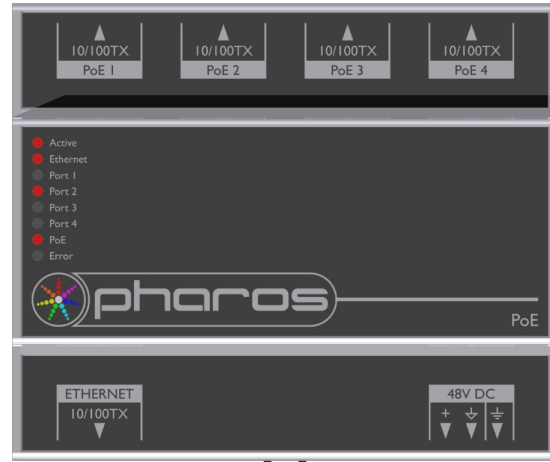


Overview

The Pharos PoE provides a simple power and networking solution for four Power-over-Ethernet devices with a separate Ethernet uplink port. It is perfect for connecting power and data between Pharos Controllers and Pharos Remote Devices.



Features



PoE Technology

Combine power and data in a single Ethernet cable using PoE (IEEE 802.3af) technology making it easy to locate your Pharos devices where you need them.



Multiple Ports

Use four ports to power and connect multiple Pharos Controllers or Remote Devices (or other IEEE 802.3af compliant devices). A fifth port (without PoE) is available to connect to your computer or other networks.



No Commissioning

The simple un-managed switch operates out of the box, with no commissioning required.

Reliable

Hardware and firmware are self-sufficient, so no PC needs to be left on site. Rugged, compact unit designed for 24/7 operation and reliability.

Installer Friendly

Made for permanent installation, with installer-friendly connectors and easy DIN rail mounting.

5 Year Warranty

Designed and manufactured in the UK, with quality and reliability our top priority.

Certifications

CE compliant, ETL/cETL listed, and California Title 20/24 compliant.

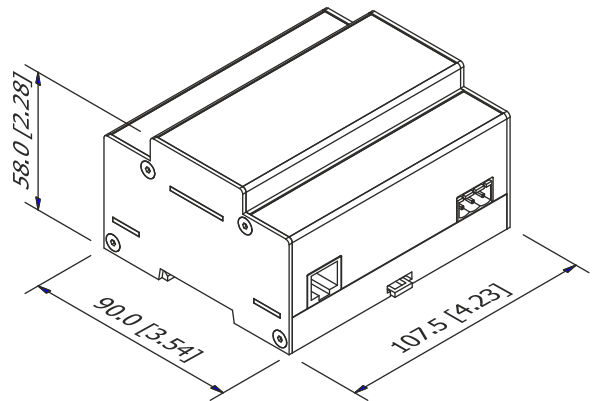


Interfaces

PoE	Four RJ45 sockets for 10/100Base-TX Ethernet with Power-over-Ethernet
Ethernet	RJ45 socket for 10/100Base-TX Ethernet

Specifications

Certifications	CE compliant, ETL/cETL listed
Power	48V DC * power consumption dependant on load, 60W maximum
Temperature	0°C to 50°C (32°F to 122°F)
Humidity	10-50% relative, non-condensing
Ingress	IP40
Physical	6 unit wide DIN rail mounting enclosure (DIN43880 / EN60715 (35/7.5 rail)) 0.5 kg (1.1 lbs)
Shipping	20 x 15 x 12 cm (8" x 6" x 5") 0.7 kg (1.6 lbs)
Warranty	5 years * Install-friendly 0.200" (5.08mm) plug in rising clamp connectors (included)



Order Code & Variants

PoE	Unmanaged PoE Ethernet Switch (4+1 Port: 4 PoE, 1 non-PoE)
------------	--

