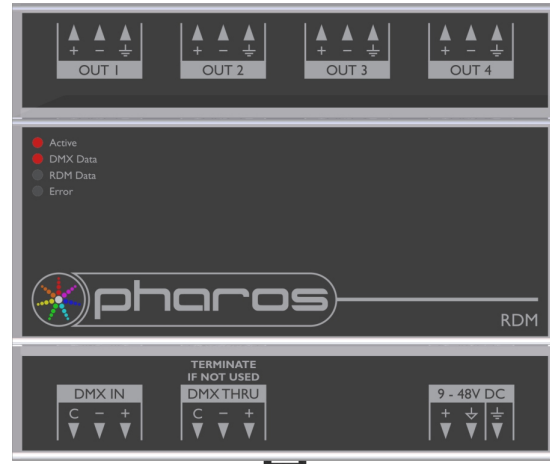


Overview

The Pharos RDM (Remote Device Management) is a 4 port DMX512 Splitter compatible with the RDM standard to provide DMX output to luminaires and other devices.



Features



RDM

Supports the Remote Device Management protocol (ANSI E1.20) allowing devices connected to any of the four outputs to communicate back to a Controller over the DMX link.



Four Outputs

Repeats a DMX signal to 4 outputs, each allowing for 32 DMX devices to be connected.



Isolated

Opto-isolated input and through connection for daisy-chaining the DMX connection.

Reliable

Hardware and firmware are self-sufficient, so no PC needs to be left on site. Rugged, compact unit designed for 24/7 operation and reliability.

Installer Friendly

Made for permanent installation, with installer-friendly connectors and easy DIN rail mounting.

5 Year Warranty

Designed and manufactured in the UK, with quality and reliability our top priority.

Certifications

CE compliant, ETL/cETL listed, and California Title 20/24 compliant.



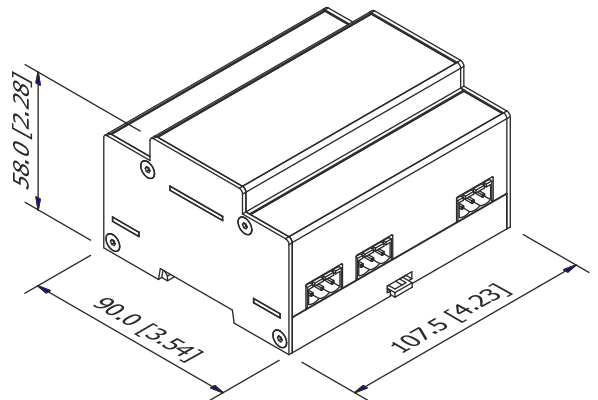
Interfaces

DMX/RDM input	DMX512 port, RDM compatible *
DMX/RDM thru	DMX512 port, RDM compatible *
DMX/RDM outputs	Four DMX512 ports, RDM compatible *

* Install-friendly 0.200" (5.08mm) plug in rising clamp connectors (included)

Specifications

Certifications	CE compliant, ETL/cETL listed
Power	9-48V DC (4W typical)
Temperature	0°C to 50°C (32°F to 122°F)
Humidity	10-50% relative, non-condensing
Ingress	IP40
Physical	6 unit wide DIN rail mounting enclosure (DIN43880 / EN60715 (35/7.5 rail)) 0.5 kg (1.1 lbs)
Shipping	20 x 15 x 12 cm (8" x 6" x 5") 0.7 kg (1.6 lbs)
Warranty	5 years



Order Code & Variants

PoE	Unmanaged PoE Ethernet Switch (4+1 Port: 4 PoE, 1 non-PoE)
------------	--

