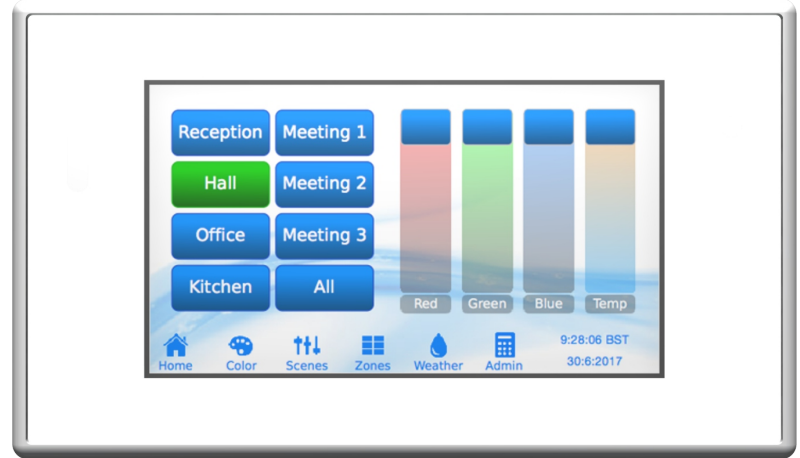


### Overview

The Pharos TPS (Touch Panel Station) is an elegant interface with a customisable, 4.3" capacitive touch screen, that works with any Pharos Controller.



### Features



#### Touch Interface

A 4.3" vivid colour capacitive touchscreen makes navigating your project's controls appealing and intuitive. It's quick and easy to activate presets, manual overrides, or even use a custom colour picker to personalise your lighting. The TPS puts control of your Pharos system at your fingertips.



#### Customisable

Create your fully customisable user interface using the free Pharos Designer software. Create multiple pages of controls including buttons, sliders, keypads and colour pickers, and configure their appearance and visual feedback. Make it eye-catching by importing your own graphics or picking from one of our attractive themes.



#### Pharos Trigger

Timing is everything. Whatever the stimulus, Pharos Trigger can handle it. You can control your lighting with responsive, reactive programming. Pharos Trigger is a rules engine that uses conditional logic and a broad range of interfaces and protocols. Send and receive any command, to and from any system. Conditional logic is supported, along with a powerful built-in scripting language for unlimited flexibility.

### Flexible

Be limited by your design brief, not your interface. Whether you want to show a few simple buttons, or use custom branded graphics, the touch panel supports it all. It is also capable of supporting any font, including those with extended character sets; e.g. Chinese, Korean, Japanese.

### Learning IR

The TPS may be taught to recognise up to 16 different IR codes from a standard infra-red remote control. When one of these keys on the remote control is pressed, the TPS will treat that as a press on its own screen.

### Scalable

Multiple Touch Devices can be combined with one or more Pharos controllers on the same network to build the ideal system for your installation, with a maximum of 40 Controllers and Touch Devices in total. Each Touch Device is easily programmed using our Designer software.

### Network

Works with any Pharos Controller, and links to it using standard protocols over an Ethernet network.

### Pharos Designer

Programmed and configured using the free Pharos Designer software – available for Windows or Mac OS X – with upload over Ethernet.

### PoE Powered

As a Power-over-Ethernet (PoE) device, the TPS can be placed at any remote location and only needs a single Cat5 cable that provides both power and data.

### 5 Year Warranty

Designed and manufactured in the UK, with quality and reliability our top priority.

### Certifications

CE compliant, ETL/cETL listed, and California Title 20/24 compliant.



## Capabilities

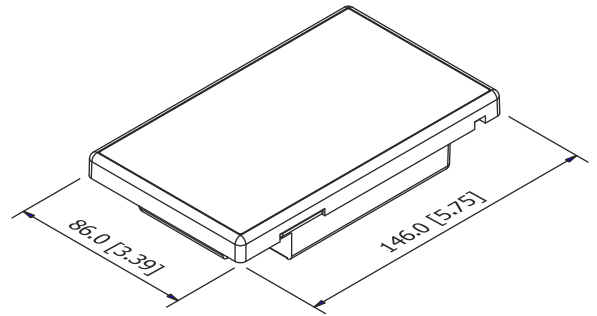
<b>Orientation</b>	Portrait or landscape
<b>Layouts</b>	Free editable layouts
<b>Pages</b>	Any number of pages
<b>Navigation</b>	Convenient and custom navigation via configurable navigation bars
<b>Fonts</b>	Custom font support, including fonts with extended character sets e.g. Chinese, Korean, Japanese
<b>Themes</b>	Wide selection of themes available to download, or create your own with Designer's theme editor
<b>Controls</b>	A wide array of customisable buttons, sliders, colour pickers, labels, keypads and clocks
<b>Flexible integration</b>	Fully integrated with Pharos Trigger, so button states, graphics, and captions can change according to any number of preset triggers
<b>Infra-red</b>	Learning IR allows any standard remote control to be used to activate button presses/state changes
<b>Secure access</b>	Keypad for PIN-code entry; multiple user levels
<b>Commissioning</b>	Commissioned with Pharos Designer

## Interfaces

<b>Ethernet</b>	RJ45 socket for 10/100Base-TX Ethernet with Link/Data LEDs; Static IP or DHCP
<b>Touchscreen</b>	4.3" capacitive touch; 480x272 24bpp; 340 cd/m2; magnetic overlay
<b>IR Sensor</b>	Learning IR sensor for remote control
<b>Temperature</b>	Built-in ambient temperature sensor

## Specifications

<b>Certifications</b>	CE compliant, ETL/cETL listed
<b>Power</b>	PoE (IEEE802.3af, Class 2) 4W typical
<b>Required</b>	Any Pharos Controller
<b>Data Storage</b>	Removable SD Card (supplied)
<b>Temperature</b>	0°C to 50°C (32°F to 122°F)
<b>Humidity</b>	10-50% relative, non-condensing
<b>Ingress</b>	IP40
<b>Physical</b>	Wall mounted, partly recessed in UK 2-gang 35mm or custom US 2.5" backbox (supplied separately) 0.25 kg (0.55 lbs)
<b>Shipping</b>	20 x 15 x 12 cm (8" x 6" x 5") 0.6 kg (1.3 lbs)
<b>Recovery</b>	Hardware watchdog and recessed reset button
<b>Warranty</b>	5 years



## Order Code & Variants

<b>TPS BN</b>	Touch Panel Station Black-on-Nickel (Touch Device) *
<b>TPS BB</b>	Touch Panel Station Black-on-Black (Touch Device)
<b>TPS CC</b>	Touch Panel Station Cream-on-Cream (Touch Device)
<b>TPS WN</b>	Touch Panel Station White-on-Nickel (Touch Device)
<b>TPS WW</b>	Touch Panel Station White-on-White (Touch Device)
<b>TPC FBB</b>	Flush back box
<b>TPC SBB</b>	Surface back box

\* TPS BN is default colour and shipped as standard

*Pharos Controller required*

