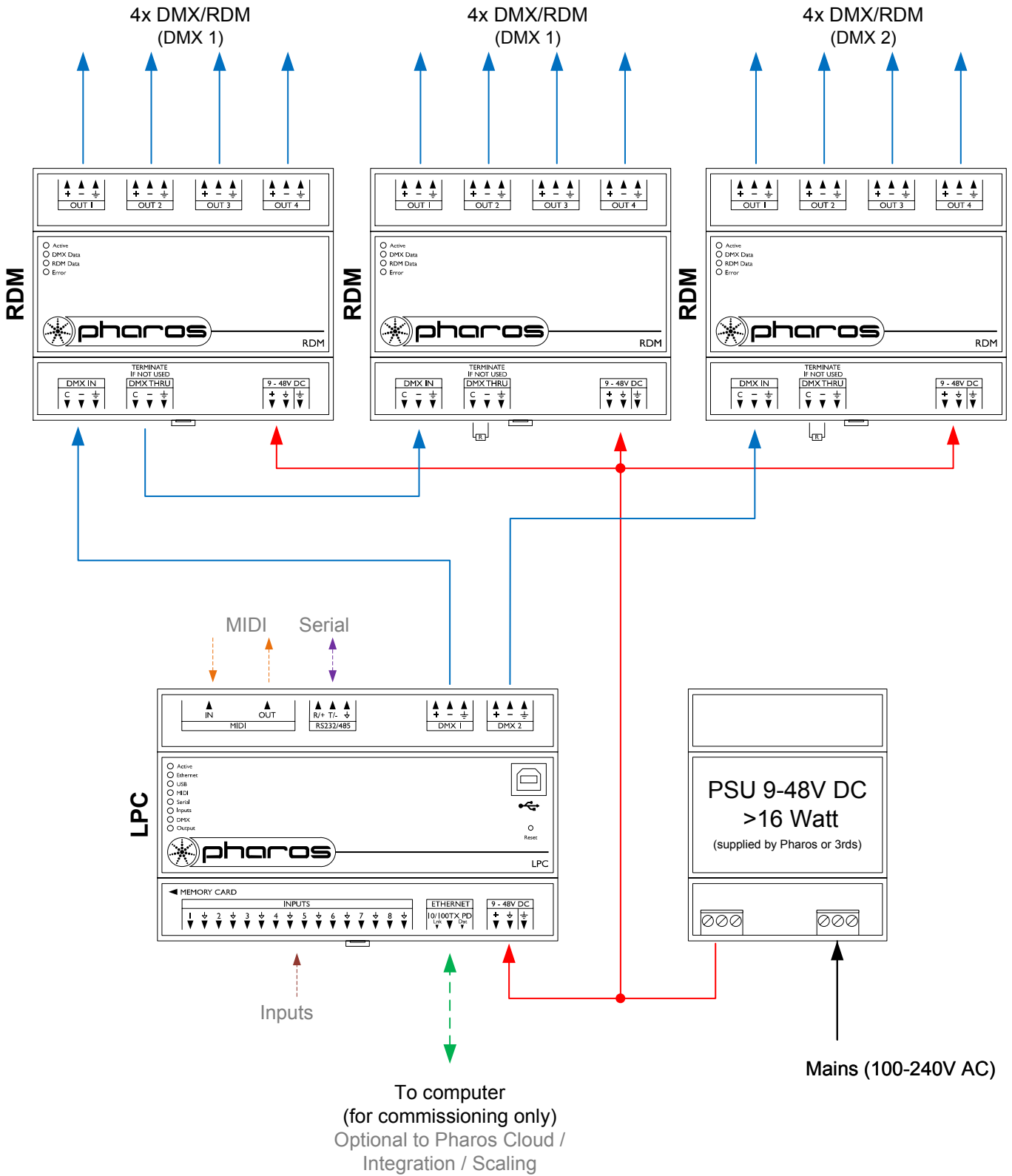



Type:	<b>LPC 1</b>	<b>LPC 2</b>
DMX 1	≤ 512 channels	≤ 512 channels
DMX 2	Clone to DMX1 *	≤ 512 channels
Total	≤ 512 channels	≤ 1,024 channels



- Consult the **Installation Guide** for technical details
- See **General Notes.pdf** for information on cabling types
- **More configurations** are possible to fulfil any project
- Contact your supplier or visit our website for support

 pharoscontrols.com	Reference: 1104	Name: LPC - 3x RDM (DC power)	
	Size: A4	Date: 27/09/2017	Rev: V 1.0
	Page:	Notes: Setup	Minor adjustments