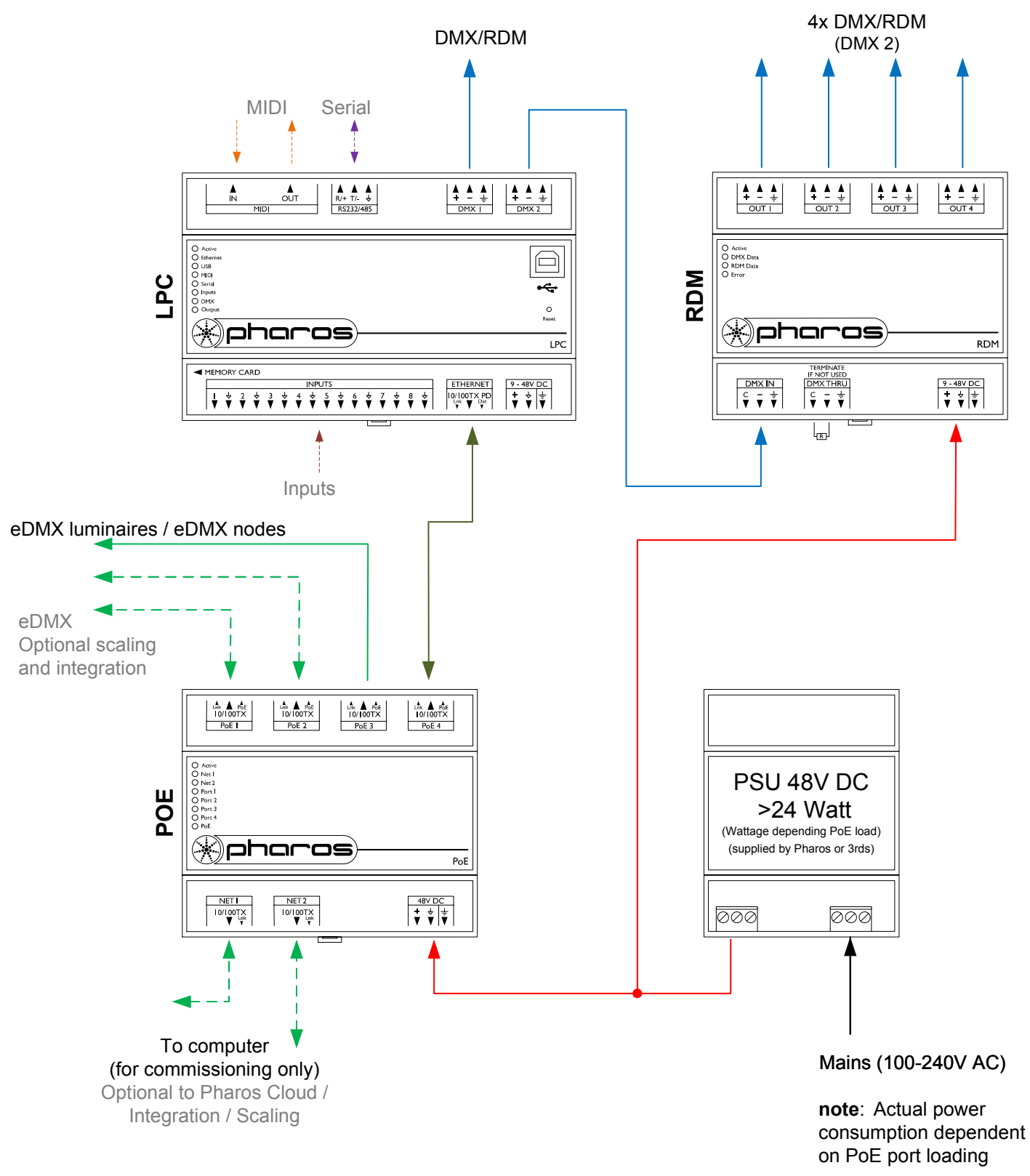



| Type: | LPC 1 | LPC 2 | LPC 4 |
|--------------|-----------------------|-------------------------|-------------------------|
| DMX 1 | ≤ 512 channels | ≤ 512 channels | ≤ 512 channels |
| DMX 2 | Clone to DMX1 * | ≤ 512 channels | ≤ 512 channels |
| eDMX | ≤ 512 channels | ≤ 1,024 channels | ≤ 2,048 channels |
| Total | ≤ 512 channels | ≤ 1,024 channels | ≤ 2,048 channels |



- Consult the **Installation Guide** for technical details
- See **General Notes.pdf** for information on cabling types
- **More configurations** are possible to fulfil any project
- Contact your supplier or visit our website for support

| | | | |
|---|--------------------|--------------------------|-----------------------------|
|  pharoscontrols.com | Reference: 1106 | Name: LPC - PoE - RDM | |
| | Size: A4 | Date: 27/09/2017 | Rev: V 1.0 |
| | Page: | Notes: Setup | Notes: Minor adjustments |
| | | 21/01/2019 | V 1.2 |