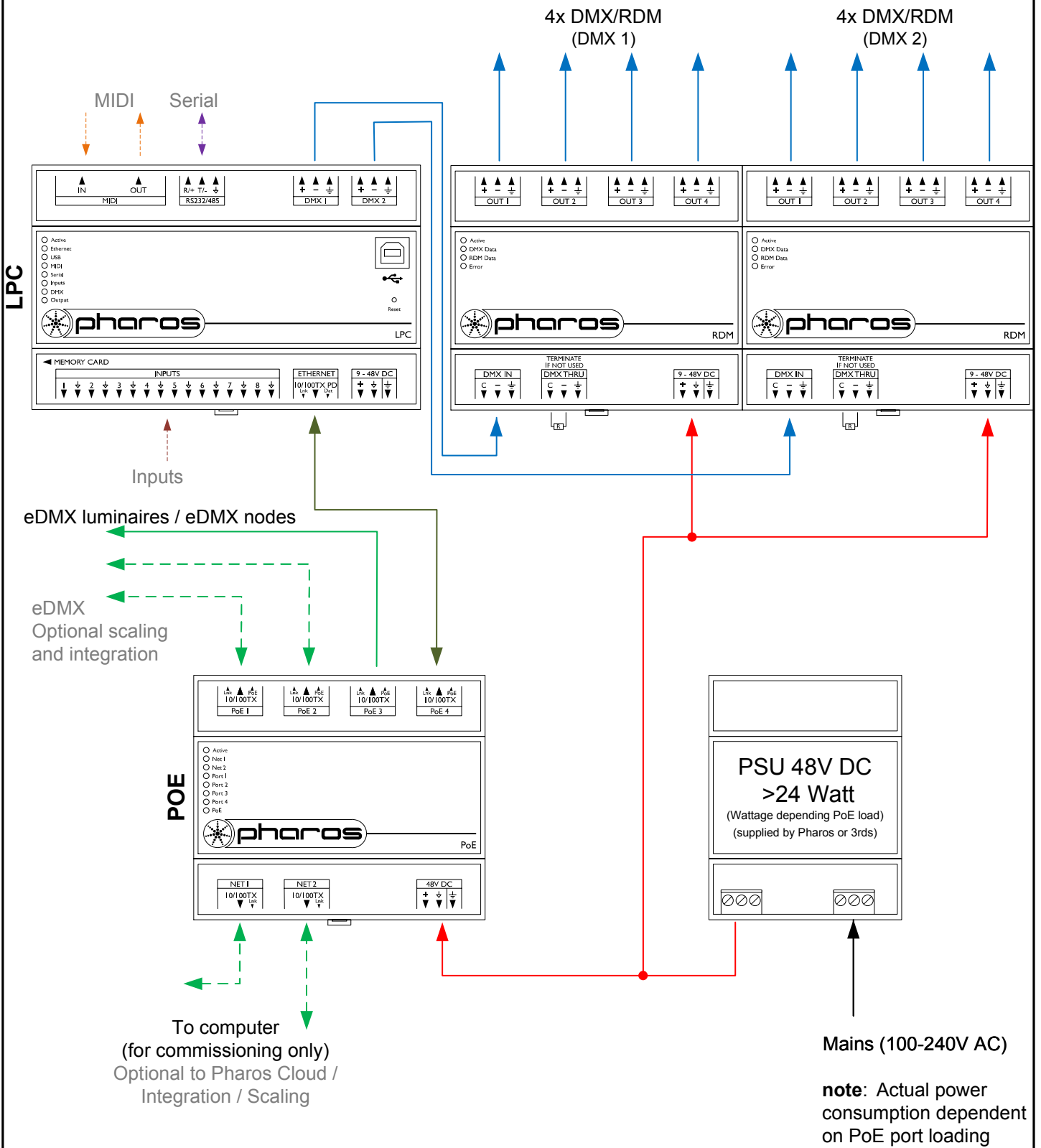


Type:	LPC 1	LPC 2	LPC 4
DMX 1	≤ 512 channels	≤ 512 channels	≤ 512 channels
DMX 2	Clone to DMX1 *	≤ 512 channels	≤ 512 channels
eDMX	≤ 512 channels	≤ 1,024 channels	≤ 2,048 channels
<b>Total</b>	<b>≤ 512 channels</b>	<b>≤ 1,024 channels</b>	<b>≤ 2,048 channels</b>



- Consult the **Installation Guide** for technical details
- See **General Notes.pdf** for information on cabling types
- **More configurations** are possible to fulfil any project
- Contact your supplier or visit our website for support



pharoscontrols.com

Reference:  
1107

Size:  
A4

Page:

Name:  
LPC - POE - 2xRDM

Date:	Rev:	Notes:
27/09/2017	V 1.0	Setup
17/09/2018	V 1.1	Minor adjustments
21/01/2019	V 1.2	Minor adjustments