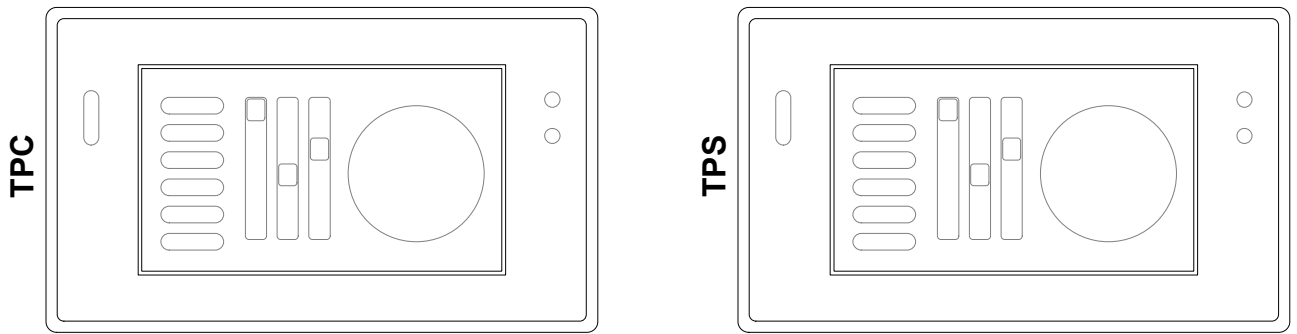
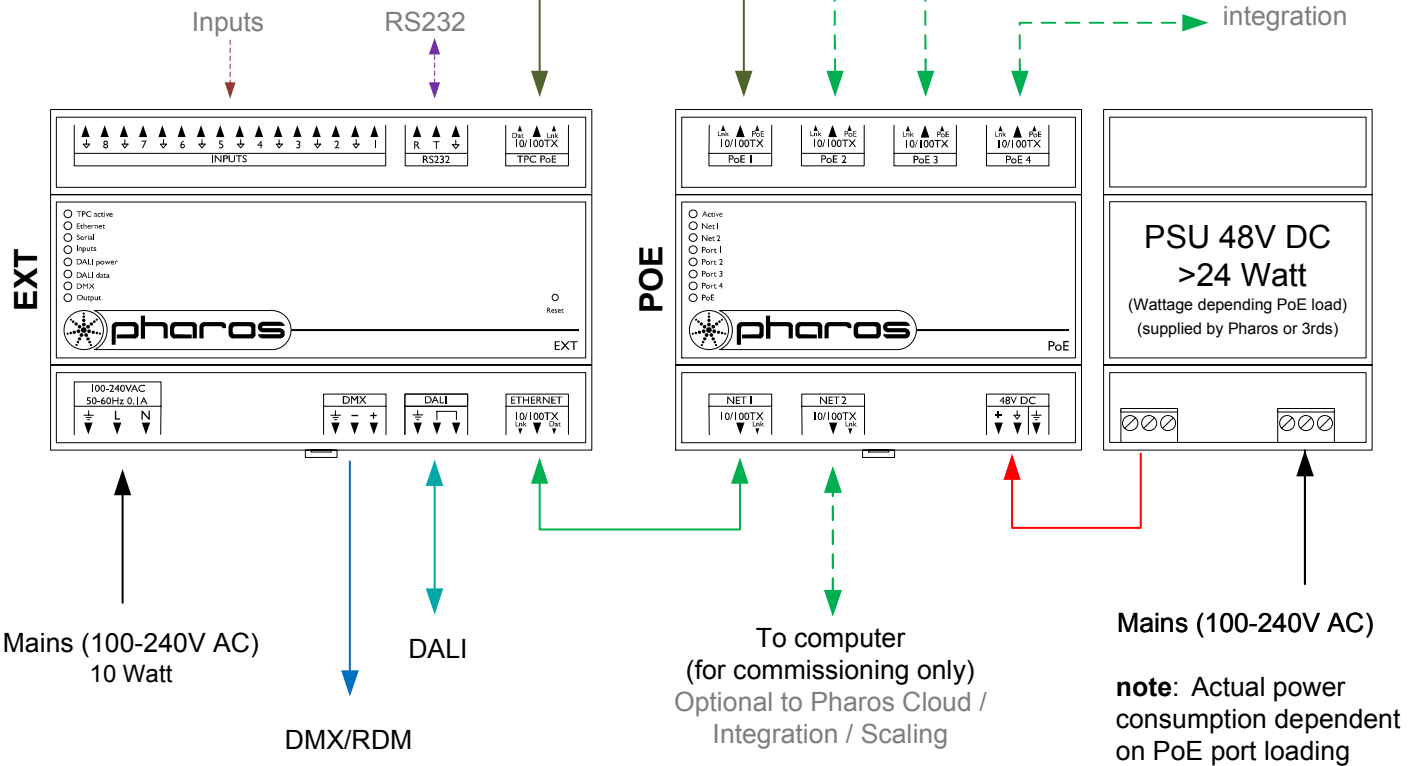


Type:	TPC + EXT
DMX	≤ 512 channels
eDMX	≤ 512 channels
Total	≤ 512 channels
DALI	1 DALI bus (max 64 devices)



Cat5e cable with RJ45 plugs
Max 100m, direct link required. (by 3rds)



- Consult the **Installation Guide** for technical details
- See **General Notes.pdf** for information on cabling types
- **More configurations** are possible to fulfil any project
- Contact your supplier or visit our website for support



pharoscontrols.com

Reference:
1310

Size:
A4

Page:

Name:
TPC - EXT - TPS

Date: Rev: Notes:

27/09/2017	V 1.0	Setup
17/09/2018	V 1.1	Minor adjustments
21/01/2019	V 1.2	Minor adjustments