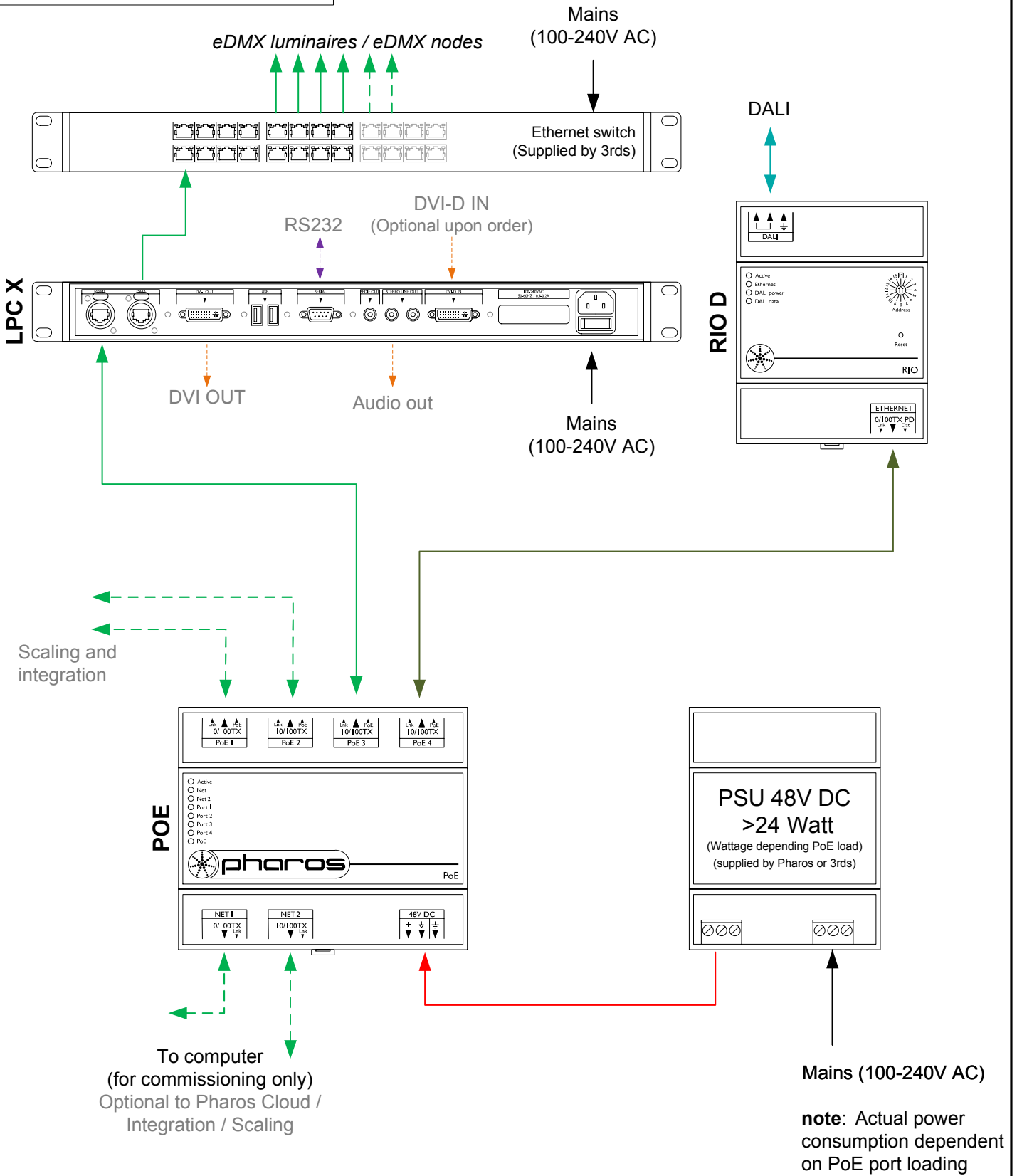



Type: **LPC X (X=10,20,30...100)**
 eDMX $\leq X * 512$ channels
 Total $\leq X * 512$ channels
 DALI 1 DALI bus (max 64 devices)



- Consult the **Installation Guide** for technical details
- See **General Notes.pdf** for information on cabling types
- **More configurations** are possible to fulfil any project
- Contact your supplier or visit our website for support

 pharoscontrols.com	Reference: 1407	Name: LPC X - RIO D	
	Size: A4	Date: 27/09/2017	Rev: V 1.0
	Page:	Notes: Setup	Notes: Minor adjustments
		21/01/2019	V 1.2
			Minor adjustments