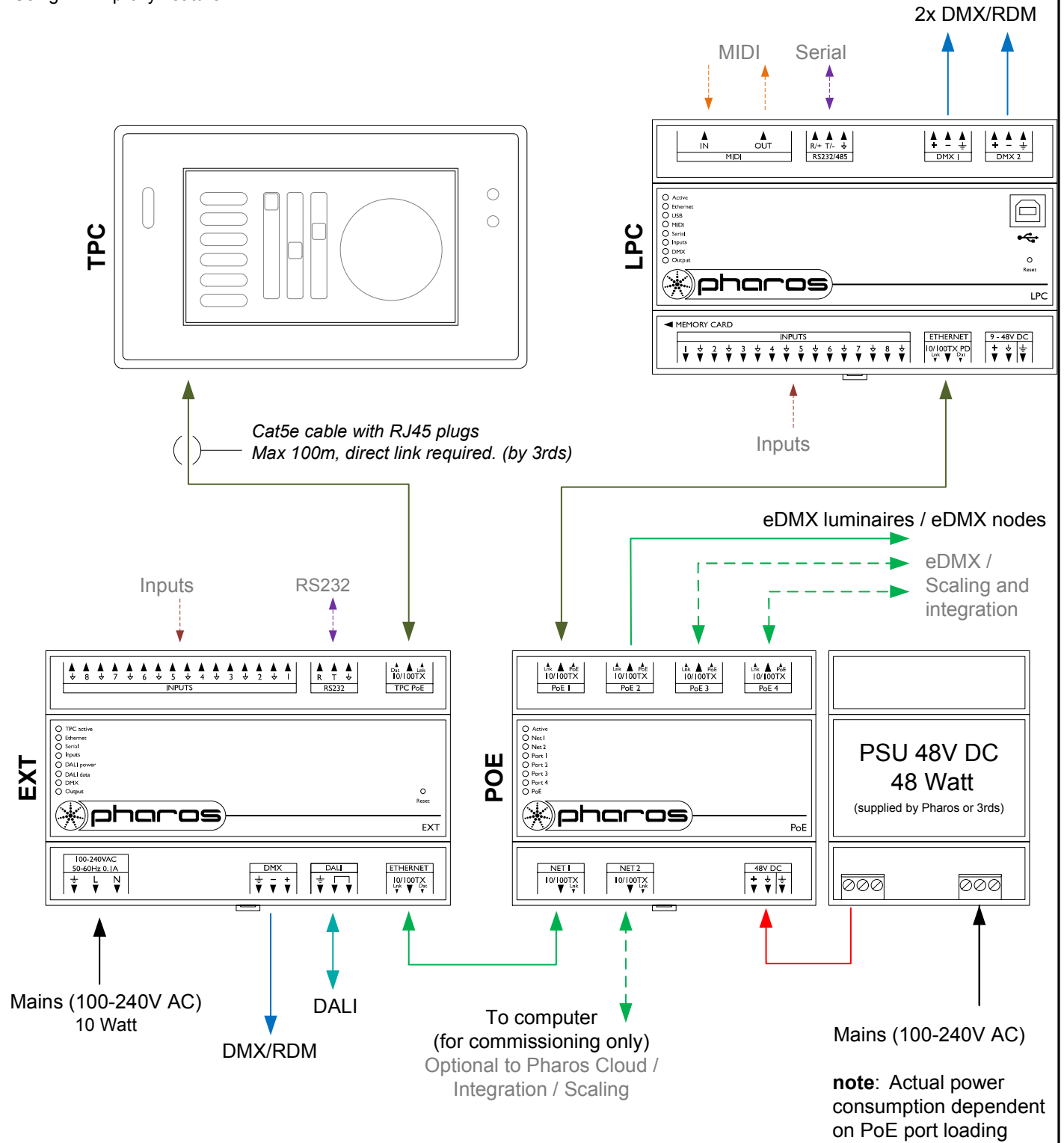



Type:	TPC+EXT & LPC 1	TPC+EXT & LPC 2	TPC+EXT & LPC 4
EXT: DMX	≤ 512 channels	≤ 512 channels	≤ 512 channels
LPC:DMX1	≤ 512 channels	≤ 512 channels	≤ 512 channels
LPC:DMX2	≤ 512 channels*	≤ 512 channels	≤ 512 channels
eDMX	≤ 1,024 channels	≤ 1,536 channels	≤ 2,560 channels
Total	≤ 1,024 channels	≤ 1,536 channels	≤ 2,560 channels
DALI	1 DALI bus (max 1x64 devices)		

*Using 'DMX proxy' feature



- Consult the **Installation Guide** for technical details
- See **General Notes.pdf** for information on cabling types
- **More configurations** are possible to fulfil any project
- Contact your supplier or visit our website for support

 pharoscontrols.com	Reference: 2007	Name: TPC + EXT & LPC	
	Size: A4	Date: 07/11/2016	Rev: V 1.0
	Page:	Notes: Setup	
		17/09/2018	V 1.1
		21/01/2019	V 1.2