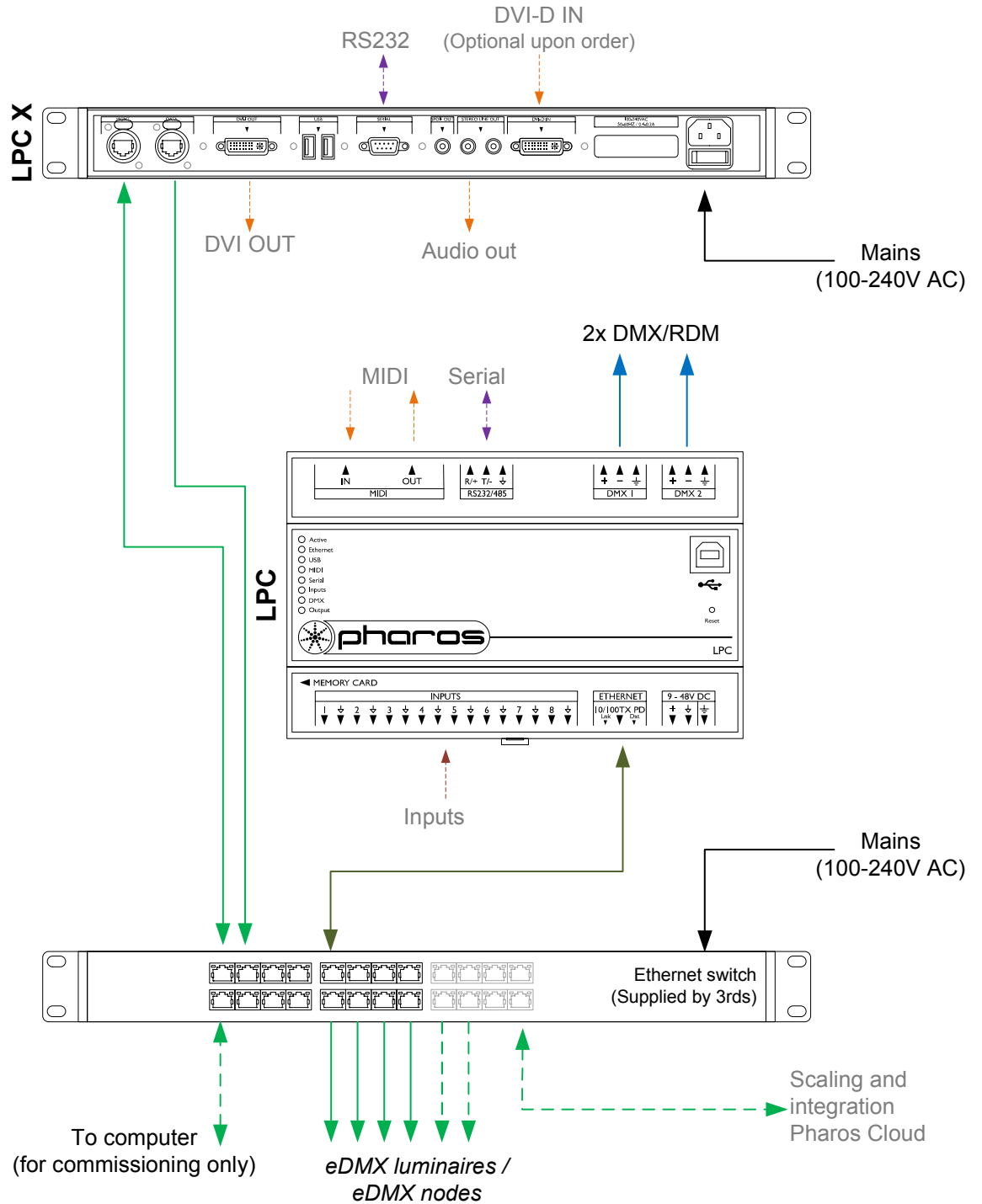


| | | | |
|---------|---|------------------|------------------|
| Type: | LPC X (X=10,20,30...100) (e.g. LPC 10 = 10x512=5,120 ch) | | |
| Type: | LPC 1 | LPC 2 | LPC 4 |
| 1:DMX 1 | ≤ 512 channels | ≤ 512 channels | ≤ 512 channels |
| 1:DMX 2 | ≤ 512 channels | ≤ 512 channels | ≤ 512 channels |
| eDMX | ≤ 5,632 channels | ≤ 6,144 channels | ≤ 6,656 channels |
| Total | ≤ 5,632 channels | ≤ 6,144 channels | ≤ 6,656 channels |

Note: All channels are part of the same project / show. The DVI-D input is local to the LPC X channels.



- Consult the **Installation Guide** for technical details
- See **General Notes.pdf** for information on cabling types
- **More configurations** are possible to fulfil any project
- Contact your supplier or visit our website for support



pharoscontrols.com

| | | | |
|--------------------|---------------------------------------|--------------|-------------------|
| Reference: 2107 | Name: LPC & LPC X (single network) | | |
| Size: A4 | Date: 17/09/2018 | Rev: V1.0 | Notes: Setup |
| Page: | 21/01/2019 | V1.2 | Minor adjustments |