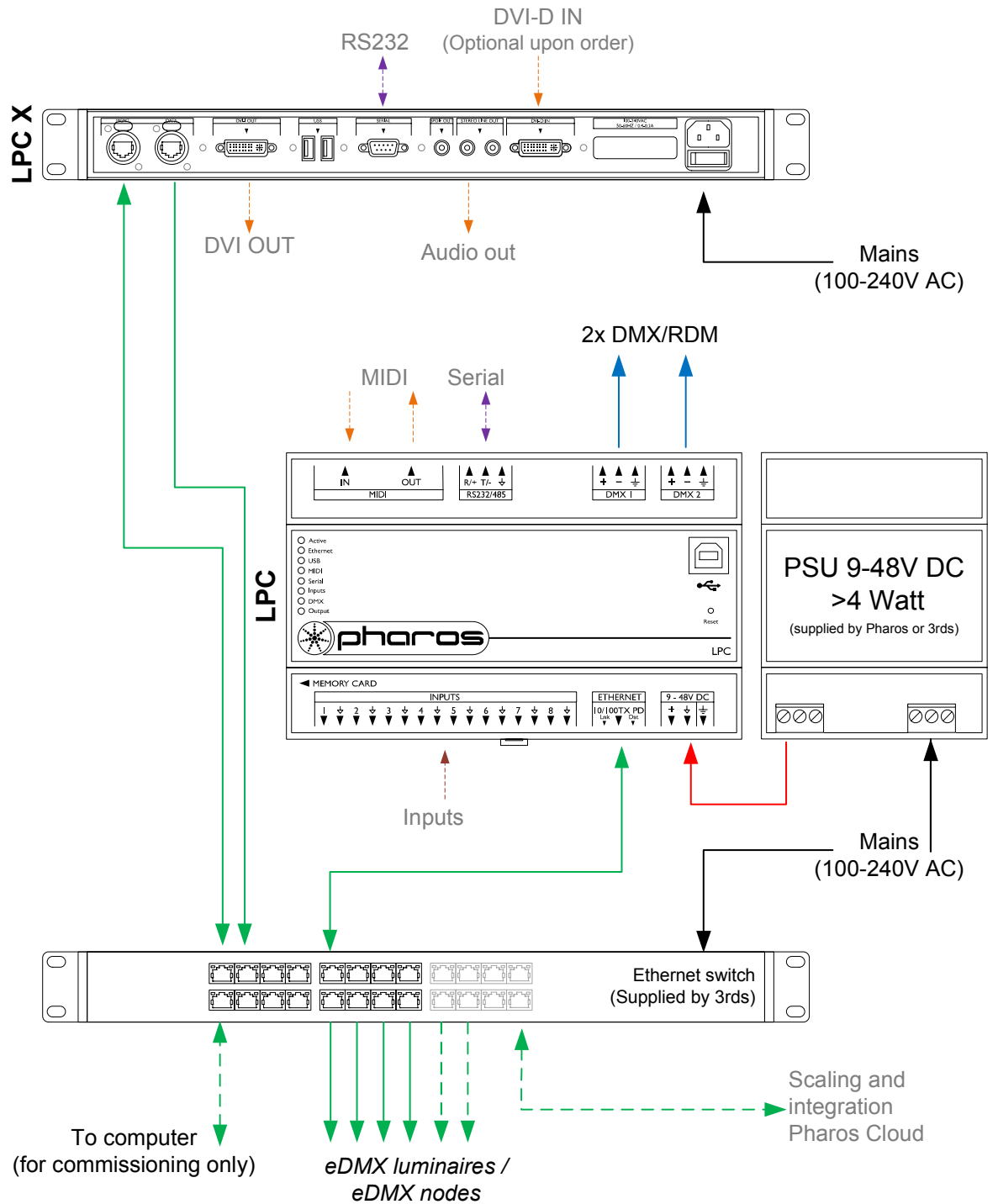


Type:	LPC X (X=10,20,30...100) (e.g. LPC 10 = 10x512=5,120 ch)		
Type:	LPC 1	LPC 2	LPC 4
1:DMX 1	≤ 512 channels	≤ 512 channels	≤ 512 channels
1:DMX 2	≤ 512 channels	≤ 512 channels	≤ 512 channels
eDMX	≤ 5,632 channels	≤ 6,144 channels	≤ 6,656 channels
Total	≤ 5,632 channels	≤ 6,144 channels	≤ 6,656 channels

Note: All channels are part of the same project / show. The DVI-D input is local to the LPC X channels.



- Consult the **Installation Guide** for technical details
- See **General Notes.pdf** for information on cabling types
- **More configurations** are possible to fulfil any project
- Contact your supplier or visit our website for support



pharoscontrols.com

Reference:	2108		
Name:	LPC&LPCX (single PoE network)		
Size:	A4	Date:	Rev:
Page:		17/09/2018	V1.0
		21/01/2019	V1.2
			Notes:
			Setup
			Minor adjustments