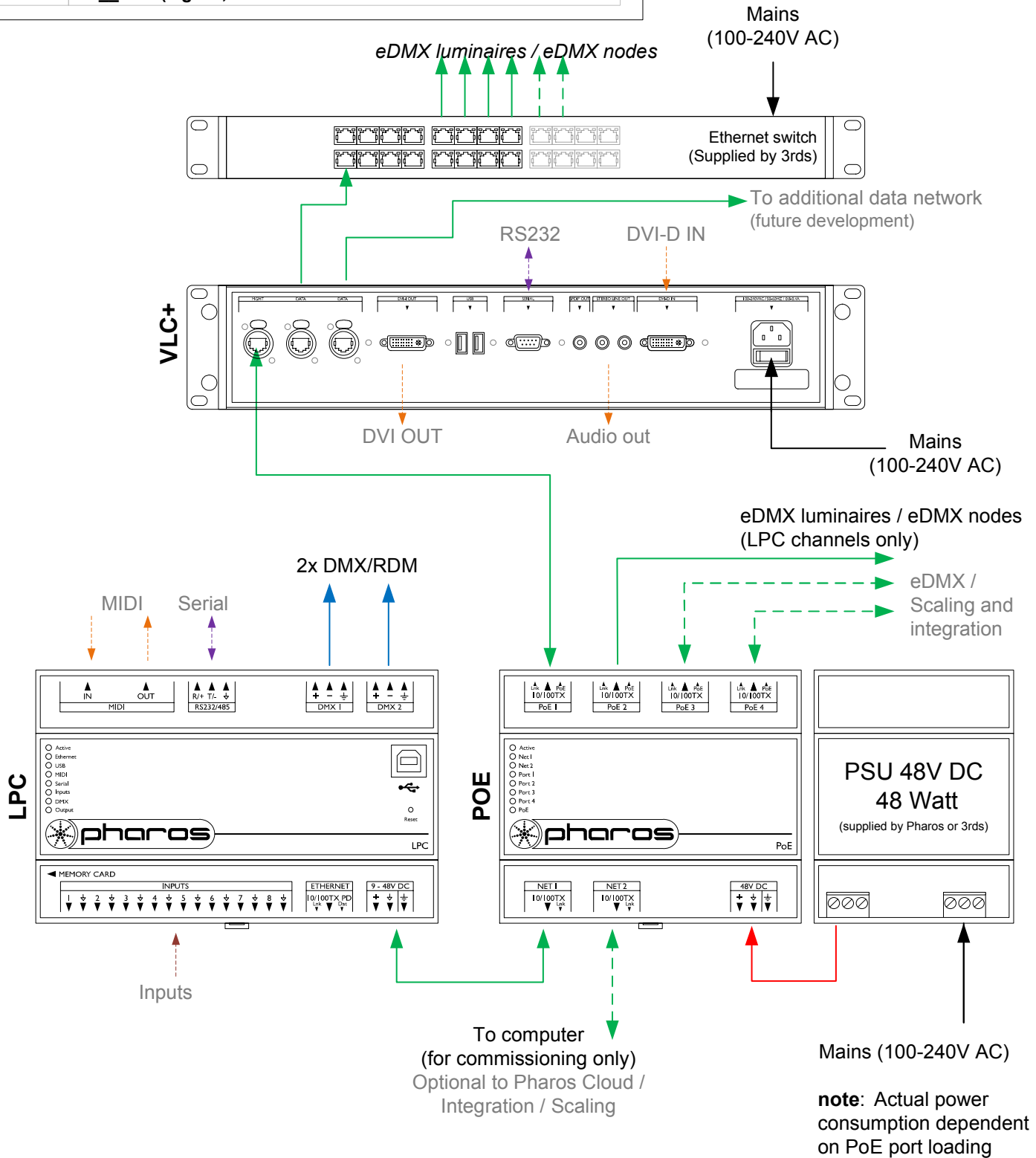



Type:	LPC 1	LPC 2	LPC 4
1:DMX 1	≤ 512 channels	≤ 512 channels	≤ 512 channels
1:DMX 2	≤ 512 channels	≤ 512 channels	≤ 512 channels
eDMX	≤ 1,024 channels	≤ 2,048 channels	≤ 4,096 channels
<b>Total</b>	<b>≤ 1,024 channels</b>	<b>≤ 2,048 channels</b>	<b>≤ 4,096 channels</b>
Type:	VLC+ ( =50,100,250,500,1000,1500,3000) (e.g. VLC+ 100)		
eDMX	≤ ___*512 (e.g. 51,200 channels) (DMX via eDMX Nodes)		
<b>Total</b>	≤ ___*512 (e.g. 51,200 channels)		

**Note:** The VLC+ channels are used to control a single composition of fixtures. The DVI-D input is local to the VLC+ channels. The LPC can control its channels with complete freedom. The VLC+ and LPC can be programmed and triggered in the same project.



- Consult the **Installation Guide** for technical details
- See **General Notes.pdf** for information on cabling types
- **More configurations** are possible to fulfil any project
- Contact your supplier or visit our website for support

 pharoscontrols.com	Reference: 2115	Name: LPC & VLC+ (dual network)	
	Size: A4	Date: 17/09/2018	Rev: V1.0
	Page:	Notes: Setup Minor adjustments	