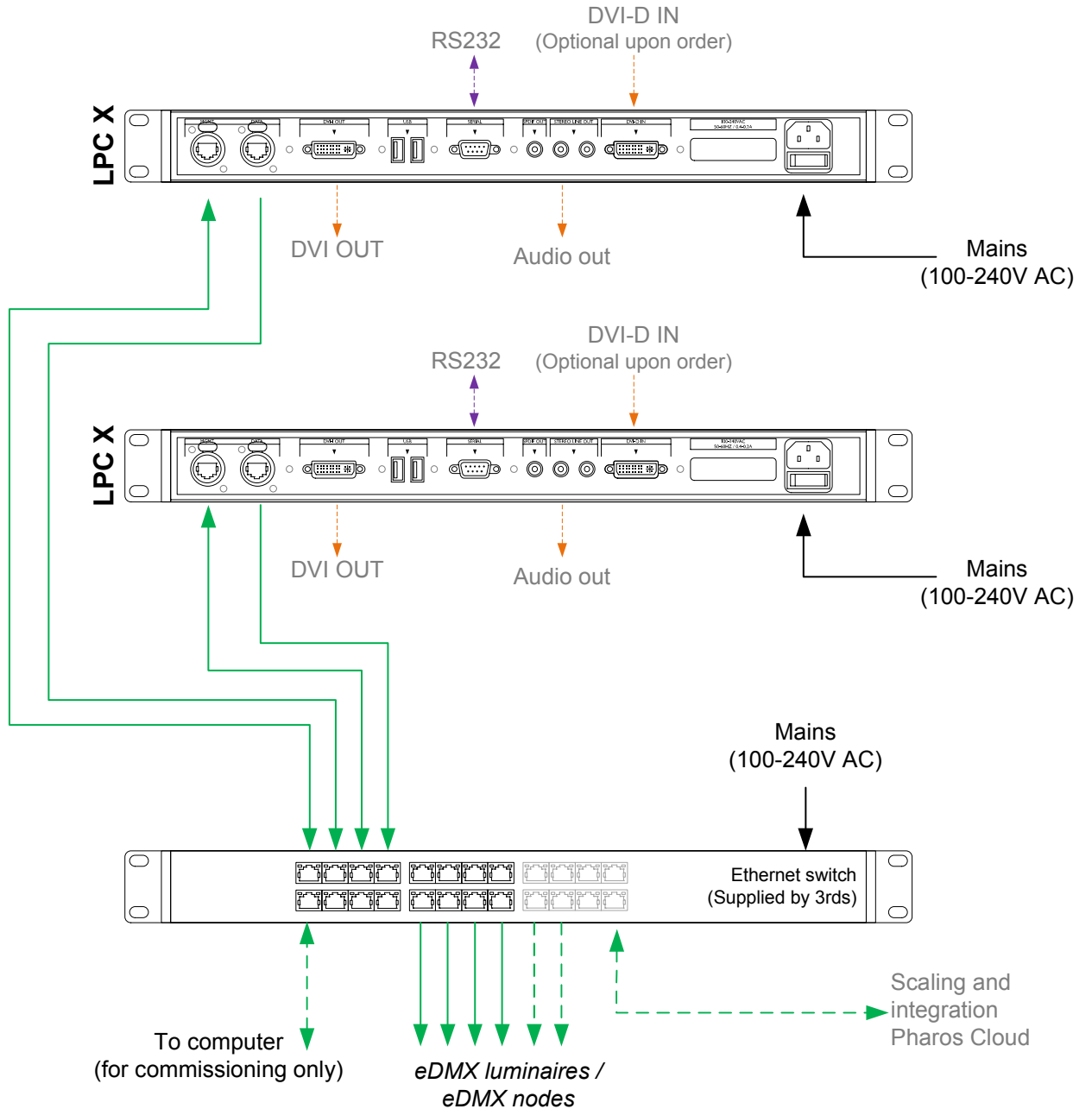


**Type:** 2x LPC X (X=10,20,30...100) (e.g. LPC 80 and LPC 70)  
 DMX via eDMX to DMX nodes  
 eDMX ≤ X \* 512 channels (1<sup>st</sup> LPC X) + X \* 512 channels (2<sup>nd</sup> LPC X)  
**Total** ≤ e.g. 40,960 + 35,840 channels

**Note:** All channels are part of the same project / show. The DVI-D input is local to the LPC X channels.



- Consult the **Installation Guide** for technical details
- See **General Notes.pdf** for information on cabling types
- **More configurations** are possible to fulfil any project
- Contact your supplier or visit our website for support



pharoscontrols.com

Reference: 2201	Name: 2x LPC X (single network)		
Size: A4	Date: 17/09/2018	Rev: V 1.0	Notes: Setup
Page:	21/01/2019	V 1.2	Setup