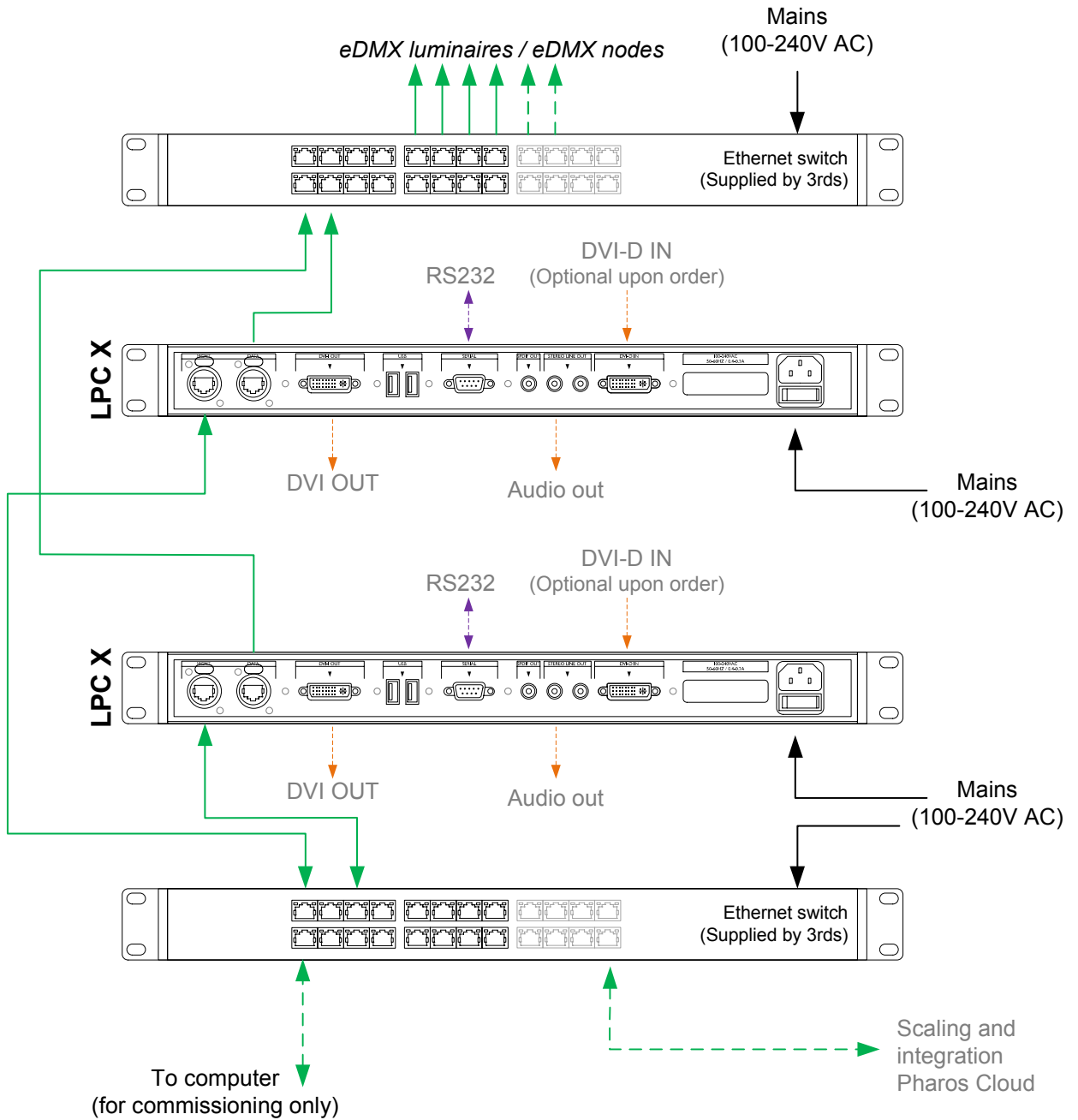


Type: 2x LPC X (X=10,20,30...100) (e.g. LPC 80 and LPC 70)
DMX via eDMX to DMX nodes
eDMX ≤ X *512 channels (1st LPC X) + X *512 channels (2nd LPC X)
Total ≤ e.g. 40,960 + 35,840 channels

Note: All channels are part of the same project / show. The DVI-D input is local to the LPC X channels.



- Consult the **Installation Guide** for technical details
- See **General Notes.pdf** for information on cabling types
- **More configurations** are possible to fulfil any project
- Contact your supplier or visit our website for support



pharoscontrols.com

Reference: 2202	Name: 2x LPC X (dual network)		
Size: A4	Date: 17/09/2018	Rev: V 1.0	Notes: Setup
Page:	21/01/2019	V 1.2	Setup