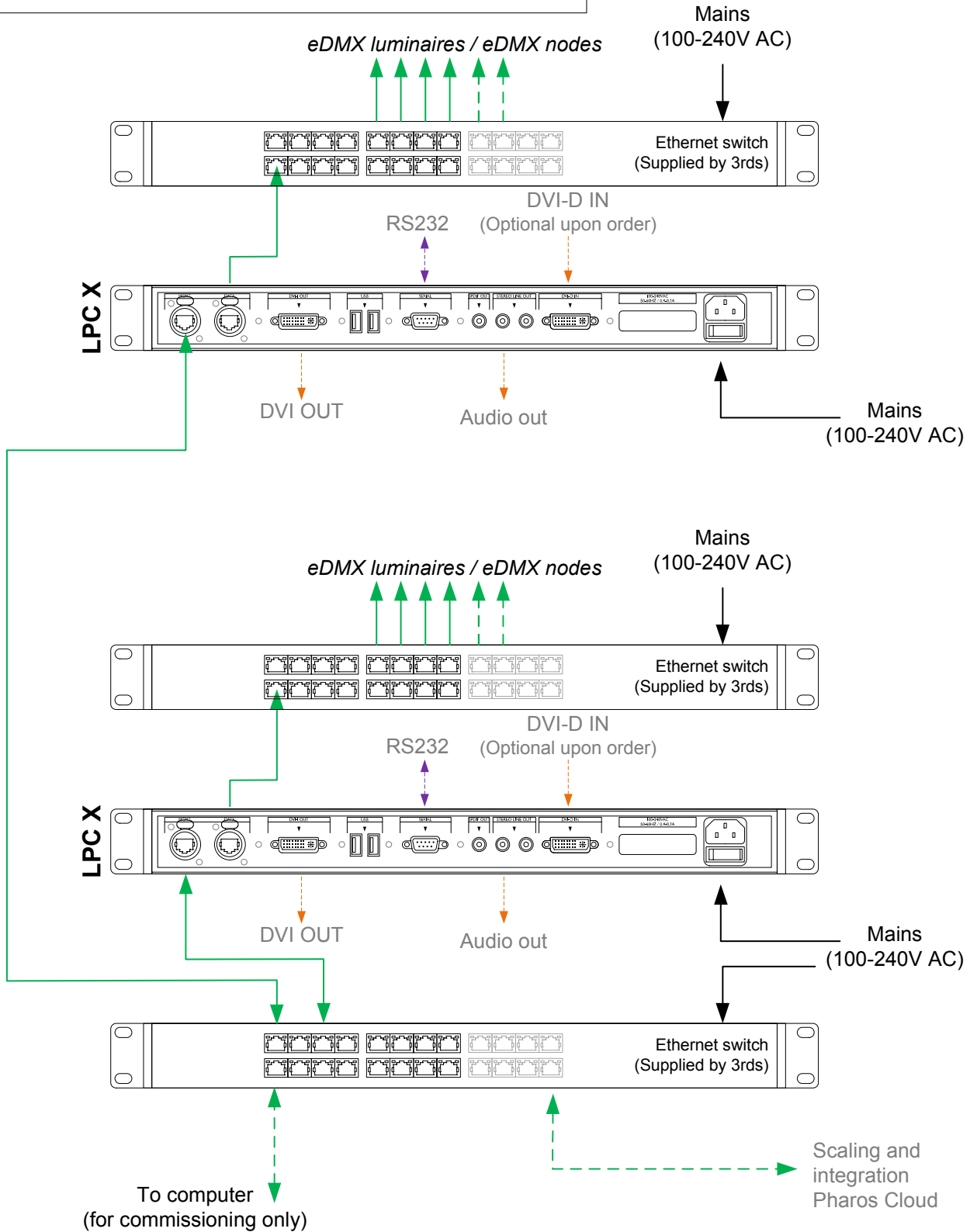



Type:	LPC X(X=10,20,30...100) (e.g. LPC 100)
eDMX	≤ X*512 (DMX via eDMX Nodes)
Total	≤ X*512 (e.g. 51,200 channels)
Type:	LPC X(X=10,20,30...100) (e.g. LPC 100)
eDMX	≤ X*512 (e.g. 51,200 channels) (DMX via eDMX Nodes)
Total	≤ X*512 (e.g. 51,200 channels)

Note: All channels are part of the same project / show, but outputted on different networks. The DVI-D input is local to the LPC X channels.



- Consult the **Installation Guide** for technical details
- See **General Notes.pdf** for information on cabling types
- **More configurations** are possible to fulfil any project
- Contact your supplier or visit our website for support

 pharoscontrols.com	Reference: 2203	Name: 2x LPC X (individual networks)		
	Size: A4	Date: 17/09/2018	Rev: V 1.0	Notes: Setup
	Page:	21/01/2019	V 1.2	Setup