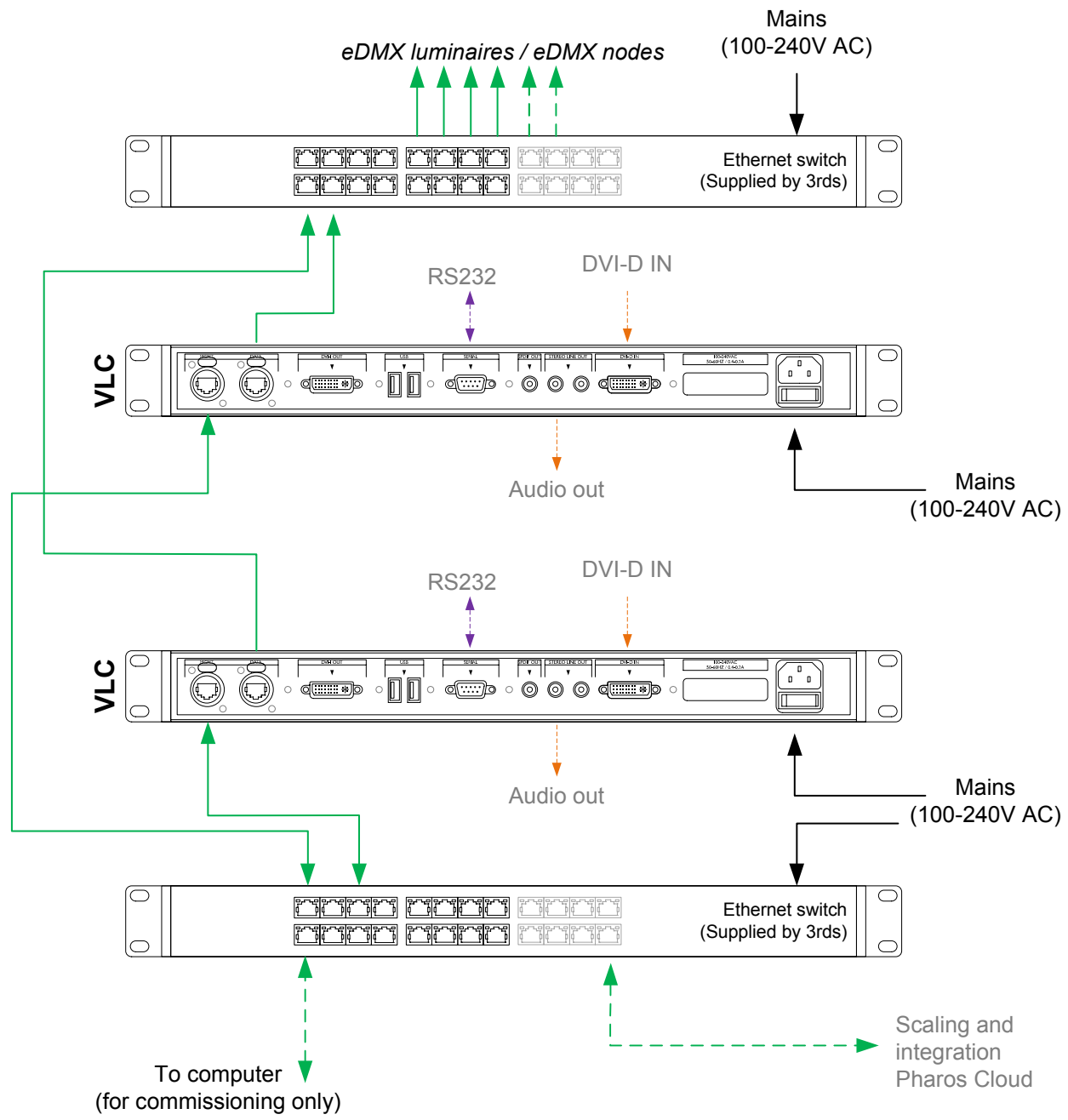



Type:	VLC__ (__=50,100,250,500,1000,1500) (e.g. VLC100)
eDMX	≤ __*512 (DMX via eDMX Nodes)
Total	≤ __*512 (e.g. 51,200 channels)
Type:	VLC__ (__=50,100,250,500,1000,1500) (e.g. VLC100)
eDMX	≤ __*512 (DMX via eDMX Nodes)
Total	≤ __*512 (e.g. 51,200 channels)

Note: The VLC can be programmed and triggered in the same project. Each set of VLC channels are used to control a single composition of fixtures. The DVI-D input is local to the VLC channels.
A VLC can create plenty of network traffic, this setup works for smaller VLC only.



- Consult the **Installation Guide** for technical details
- See **General Notes.pdf** for information on cabling types
- **More configurations** are possible to fulfil any project
- Contact your supplier or visit our website for support

 pharoscontrols.com	Reference:	Name:		
	2205	2x VLC (dual network)		
	Size:	Date:	Rev:	Notes:
A4	17/09/2018	V 1.0	Setup	
Page:	21/01/2019	V 1.2	Setup	