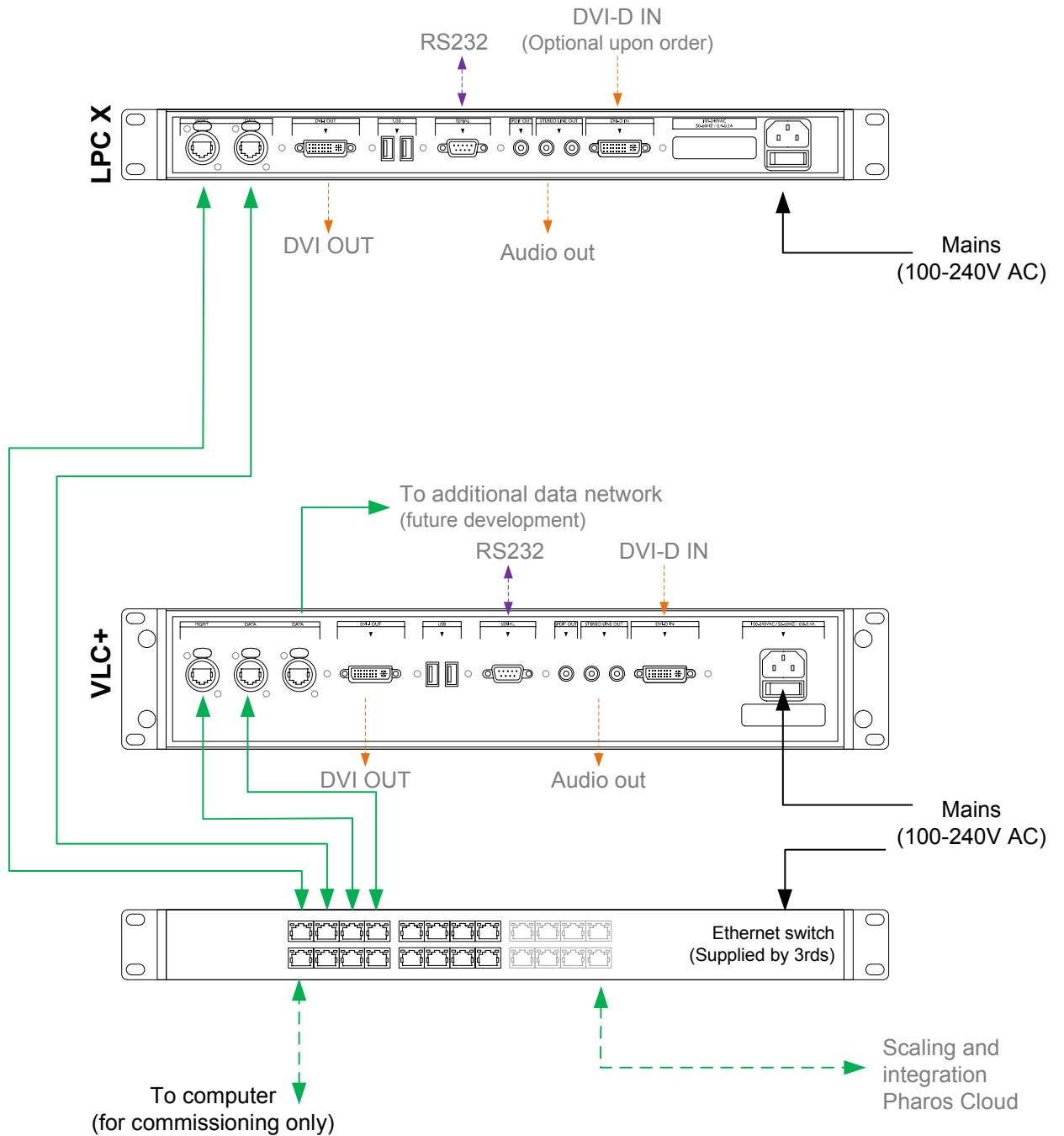



Type:	VLC+ (___=50,100,250,500,1000,1500,3000) (e.g. VLC+100)
eDMX	≤ ___*512 (DMX via eDMX Nodes)
Total	≤ ___*512 (e.g. 51,200 channels)
Type:	LPC X (X=10,20,30...100) (e.g. LPC 100)
eDMX	≤ X*512 (e.g. 51,200 channels) (DMX via eDMX Nodes)
Total	≤ X*512 (e.g. 51,200 channels)

Note: The VLC+ and LPC can be programmed and triggered in the same project. VLC+ channels are used to control a single composition of fixtures. The DVI-D input is local to the controllers channels. A VLC+ can create plenty of network traffic, this setup works for smaller VLC+ only.



- Consult the **Installation Guide** for technical details
- See **General Notes.pdf** for information on cabling types
- **More configurations** are possible to fulfil any project
- Contact your supplier or visit our website for support

 pharoscontrols.com	Reference: 2213	Name: VLC+ & LPC X (single network)	
	Size: A4	Date: 17/09/2018	Rev: V 1.0
	Page:	Notes: Setup	