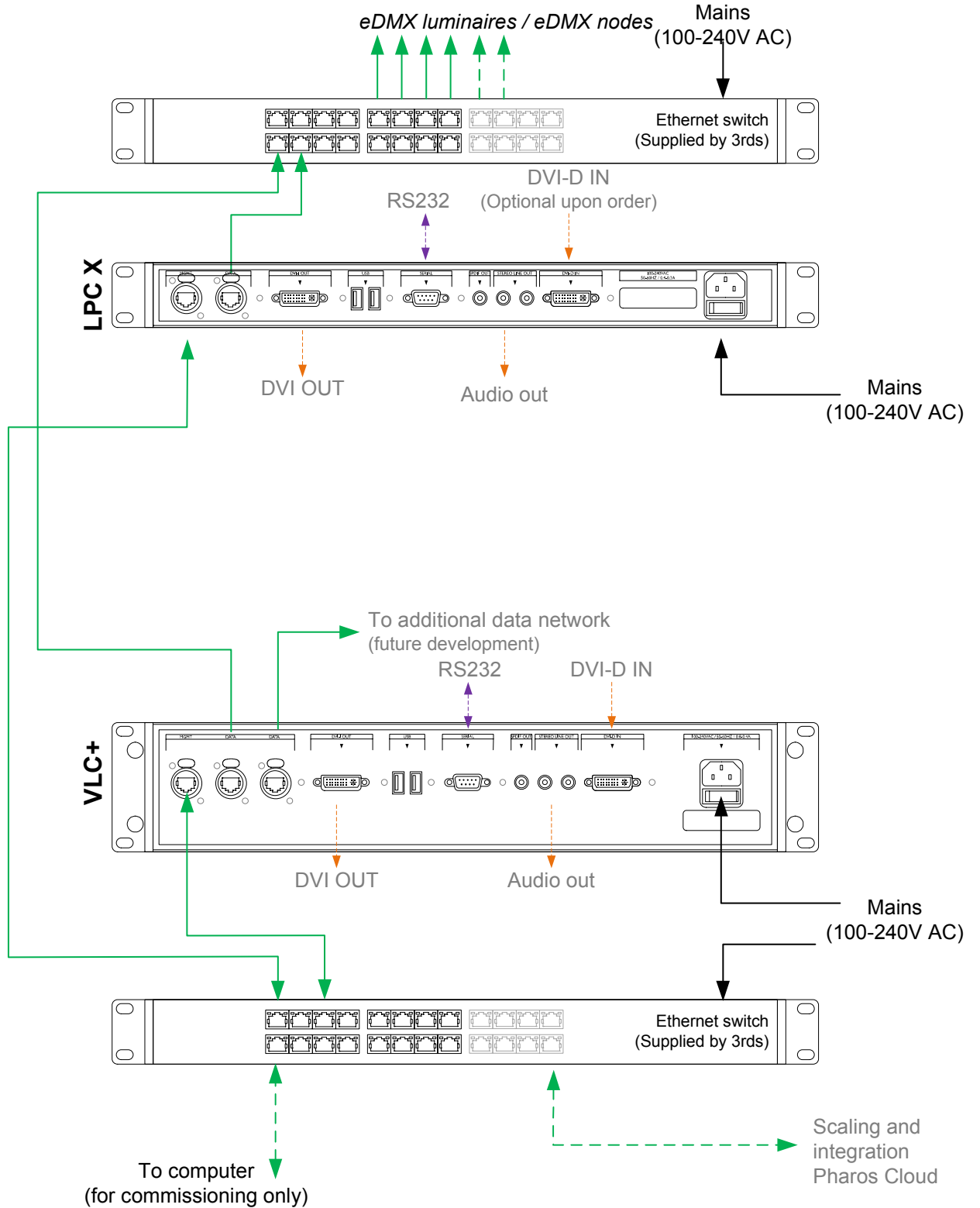



| | |
|-------|---|
| Type: | VLC+ ___ (___=50,100,250,500,1000,1500,3000) (e.g. VLC+100) |
| eDMX | ≤ ___*512 (DMX via eDMX Nodes) |
| Total | ≤ ___*512 (e.g. 51,200 channels) |
| Type: | LPC X (X=10,20,30...100) (e.g. LPC 100) |
| eDMX | ≤ X*512 (e.g. 51,200 channels) (DMX via eDMX Nodes) |
| Total | ≤ X*512 (e.g. 51,200 channels) |

Note: The VLC+ and LPC can be programmed and triggered in the same project. VLC+ channels are used to control a single composition of fixtures. The DVI-D input is local to the controllers channels. A VLC+ can create plenty of network traffic, this setup works for smaller VLC+ only.



- Consult the **Installation Guide** for technical details
- See **General Notes.pdf** for information on cabling types
- **More configurations** are possible to fulfil any project
- Contact your supplier or visit our website for support

| | | | |
|---|--------------------|--------------------------------------|---------------|
|  pharoscontrols.com | Reference: 2214 | Name: VLC+ & LPC X (dual network) | |
| | Size: A4 | Date: 17/09/2018 | Rev: V 1.0 |
| | Page: | Notes: Setup | |