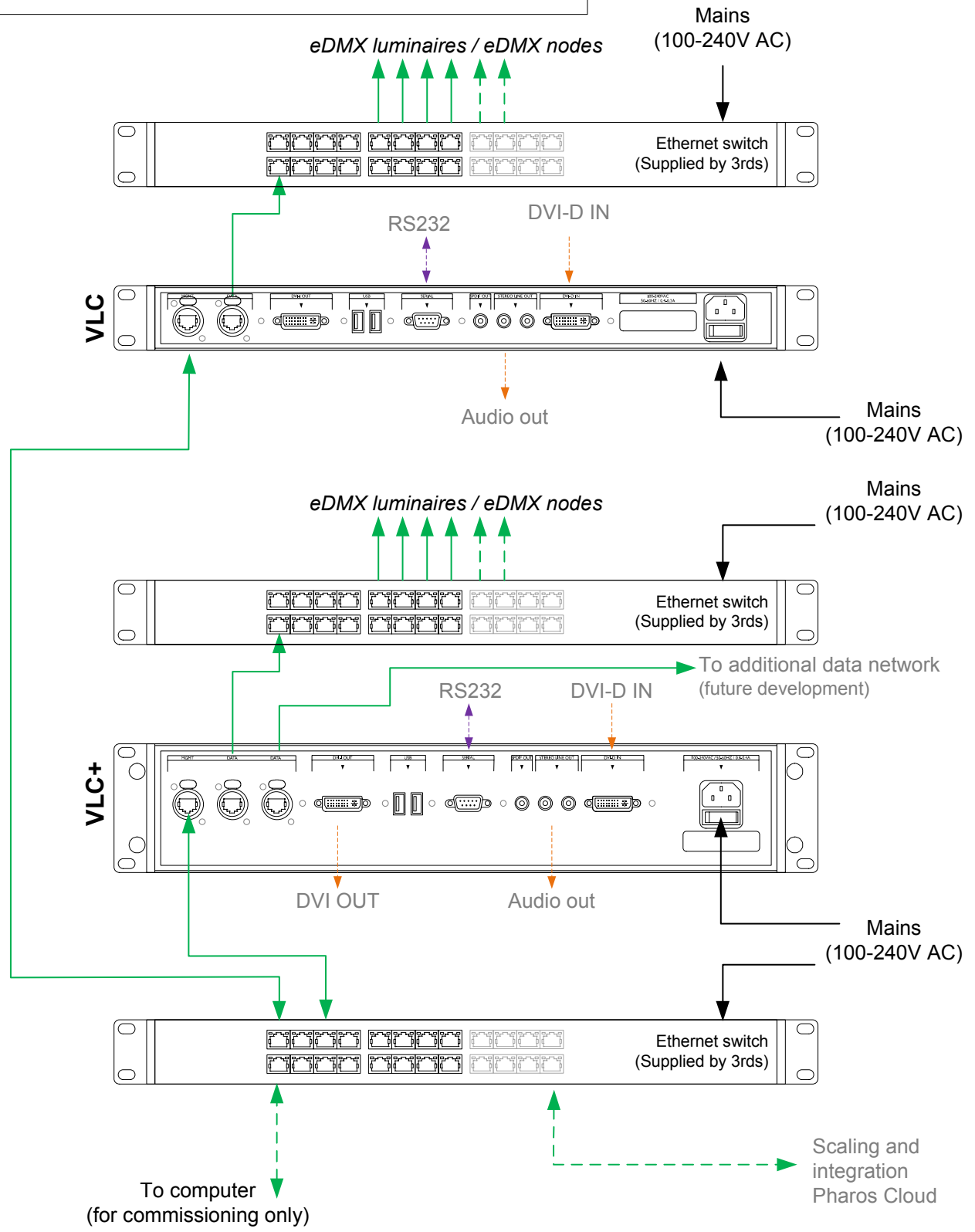



Type:	VLC__ (__=50,100,250,500,1000,1500)(e.g. VLC100)
eDMX	≤ __*512 (DMX via eDMX Nodes)
Total	≤ __*512 (e.g. 51,200 channels)
Type:	VLC+__ (__=50,100,250,500,1000,1500,3000)(e.g. VLC+100)
eDMX	≤ __*512 (DMX via eDMX Nodes)
Total	≤ __*512 (e.g. 51,200 channels)

Note: The VLC+/VLC can be programmed and triggered in the same project. Each set of VLC/ VLC+ channels are used to control a single composition of fixtures. The DVI-D input is local to the controllers channels.



- Consult the **Installation Guide** for technical details
- See **General Notes.pdf** for information on cabling types
- **More configurations** are possible to fulfil any project
- Contact your supplier or visit our website for support

 pharoscontrols.com	Reference: 2218	Name: VLC+ & VLC (indiv. networks)	
	Size: A4	Date: 17/09/2018	Rev: V 1.0
	Page:	Notes: Setup	Notes: Setup