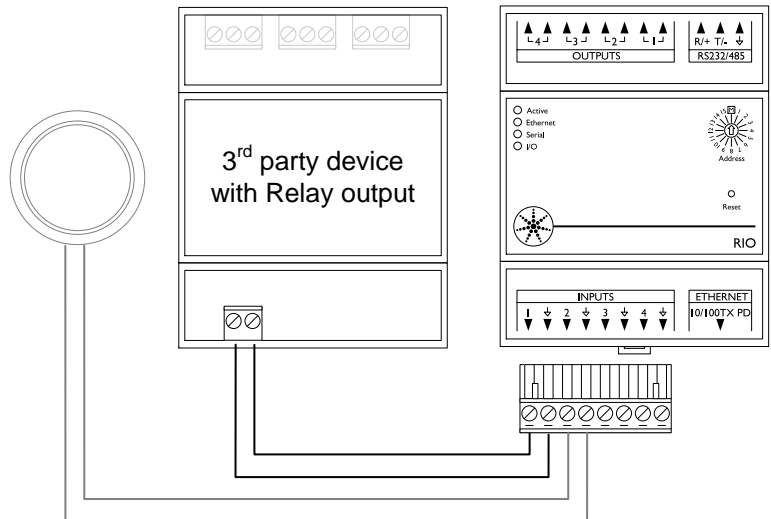


Input application examples:

- Input with contact closure
- Input with digital value
- Input with analog value


Note each input can be connected to any of the input types

Max. 48V, 250mA per output



note: inputs available on LPC 1, LPC 2, LPC4, EXT, RIO 80 and RIO 44
 a Pharos RIO Requires Pharos controller to operate
 an EXT requires a Pharos TPC to operate

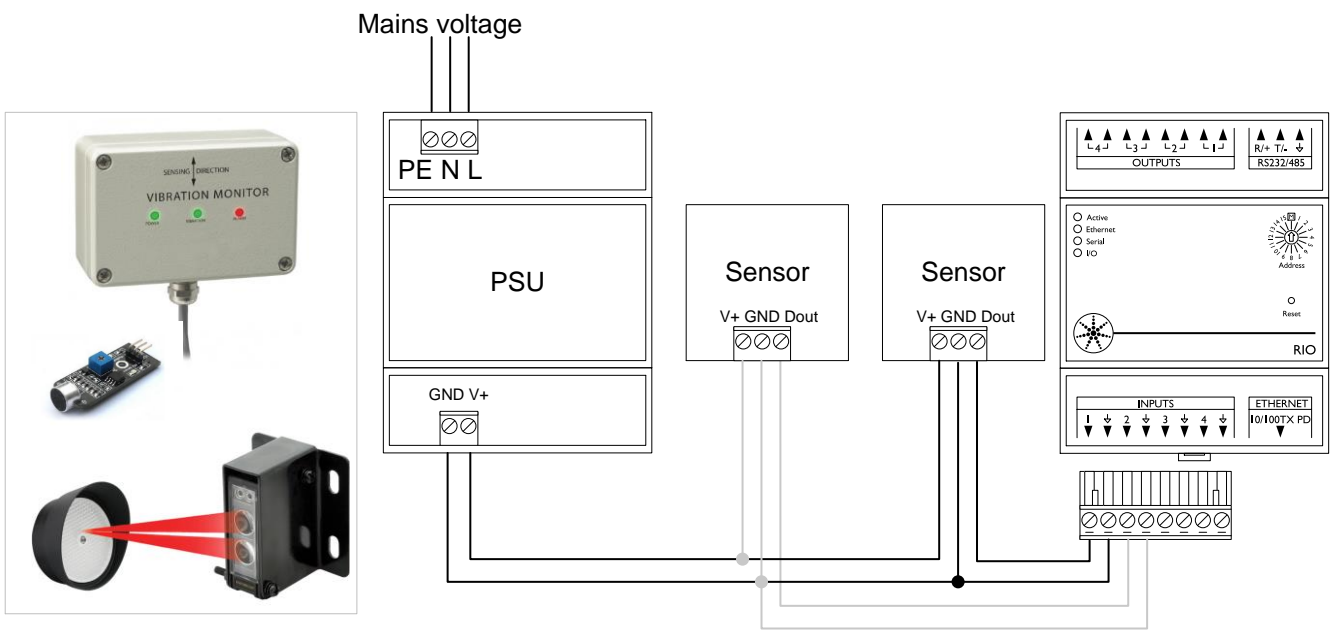
- Consult the **Installation Guide** for technical details
- See **General Notes.pdf** for information on cabling types
- Contact your supplier, visit our website or mail support with any other questions

 pharoscontrols.com	Reference: 9101	Name: Input with contact closure		
	Size: A4	Date: 15/11/2016	Rev: V 1.0	Notes: Setup
	Page: 1 of 3			

Input application examples:

- Input with contact closure
- Input with digital value
- Input with analog value


Note each input can be connected to any of the input types



Digital High and Digital Low can be configured per input, between 0 and 24V, in steps of 1 volt

note: inputs available on LPC 1, LPC 2, LPC4, EXT, RIO 80 and RIO 44
 a Pharos RIO Requires Pharos controller to operate
 an EXT requires a Pharos TPC to operate

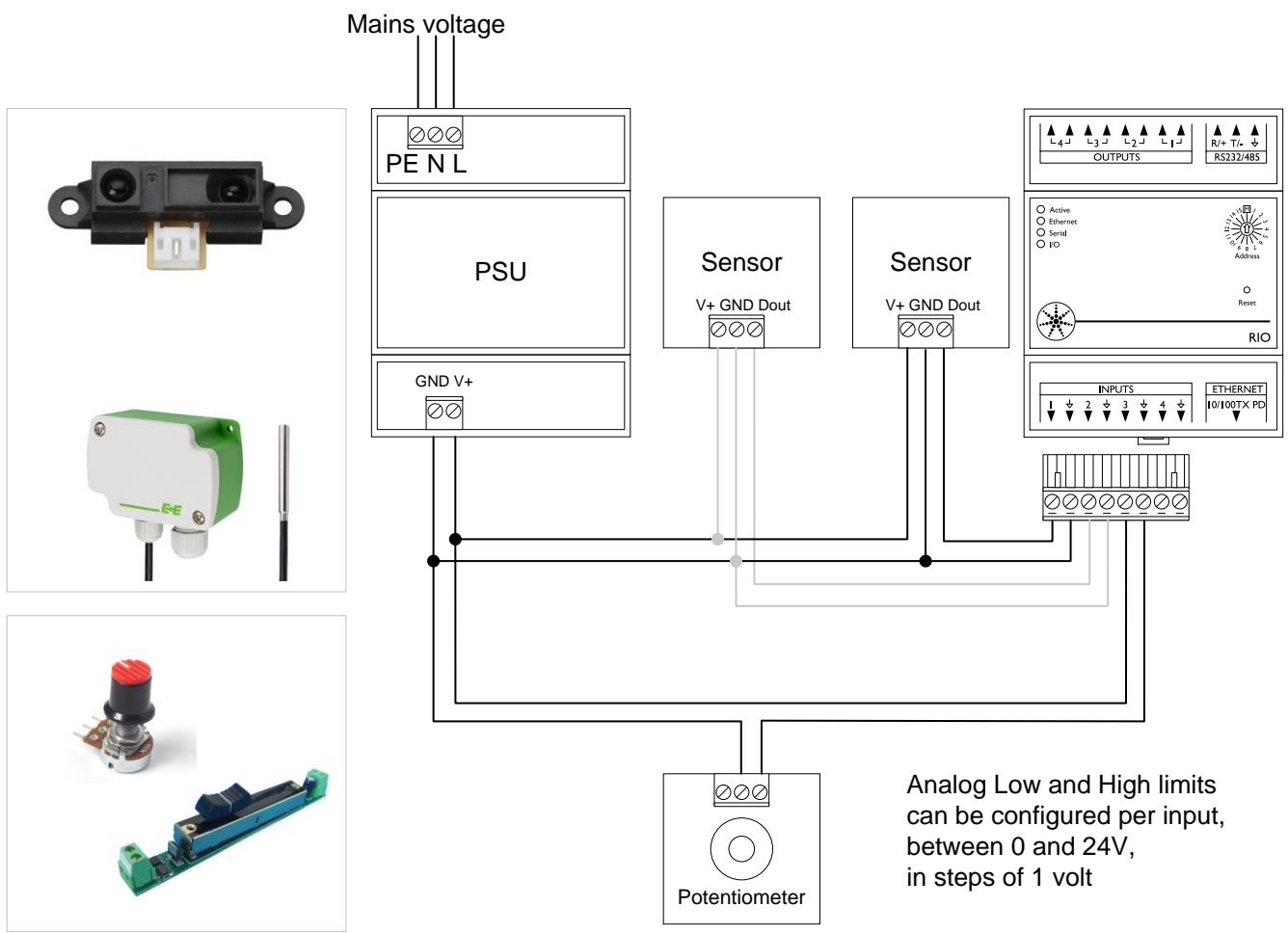
- Consult the **Installation Guide** for technical details
- See **General Notes.pdf** for information on cabling types
- Contact your supplier, visit our website or mail support with any other questions

 pharoscontrols.com	Reference: 9102	Name: Input with digital value		
	Size: A4	Date: 15/11/2016	Rev: V 1.0	Notes: Setup
	Page: 2 of 3			

Input application examples:


- Input with contact closure
- Input with digital value
- Input with analog value

Note each input can be connected to any of the input types



note: inputs available on LPC 1, LPC 2, LPC4, EXT, RIO 80 and RIO 44
 a Pharos RIO Requires Pharos controller to operate
 an EXT requires a Pharos TPC to operate

- Consult the **Installation Guide** for technical details
- See **General Notes.pdf** for information on cabling types
- Contact your supplier, visit our website or mail support with any other questions

 pharoscontrols.com	Reference: 9103	Name: Input with Analogue value		
	Size: A4	Date: 15/11/2016	Rev: V 1.0	Notes: Setup
	Page: 3 of 3			